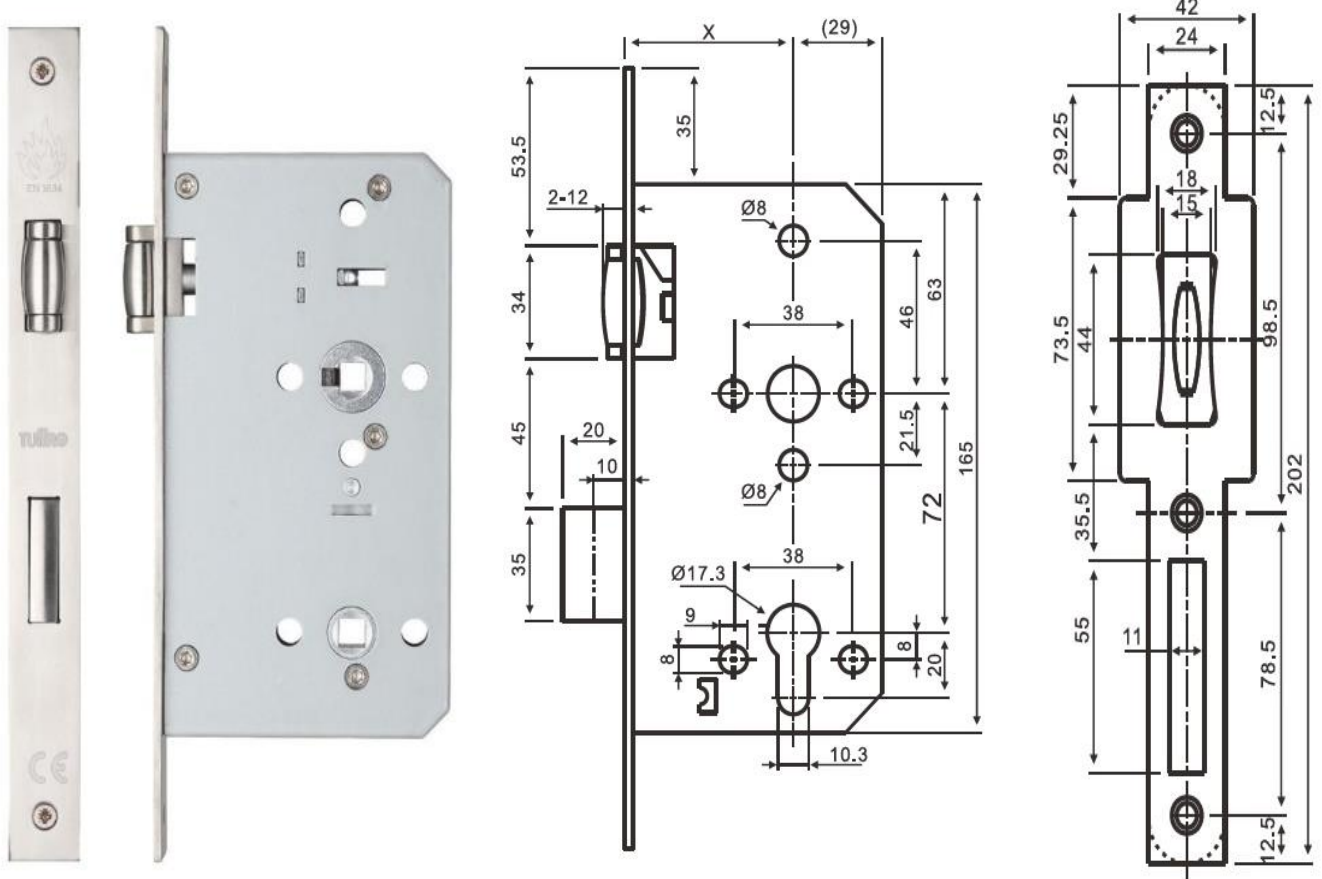


TFML010-ROLLER LATCH LOCK



- Mortise Roller latch lock with 20mm projecting double throw Deadbolt, conforming to BS EN 12209, CE marked
- 8mm grip tight square follower
- Stainless steel SS304 grade deadbolt SS304 grade strike plate with dust box
- 22mm SS304 grade forend available in square and round corners
- Supplied with suitable screws and fixings



BACK SET AVAILABLE
TFML010-5572 X = 55MM
TFML010-6072 X = 60MM