

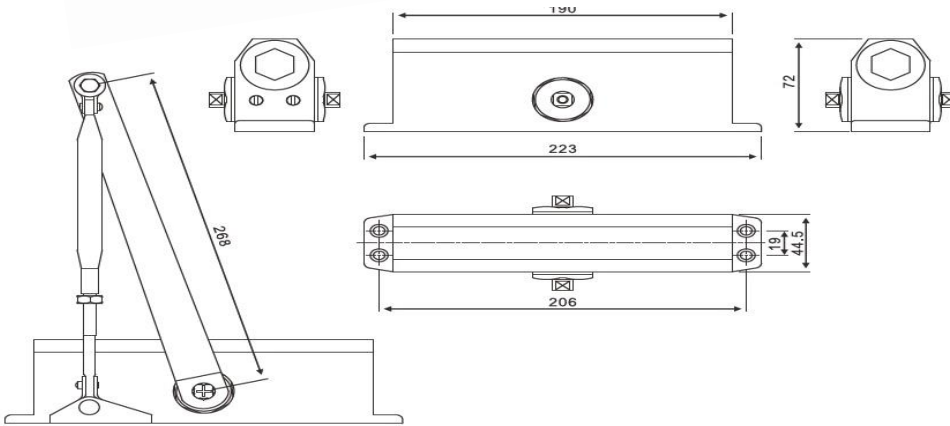
TFDC016- SIZE 3 DOOR CLOSER - 65 KG

AVAILABLE FINISHES

PSS- POLISHED STAINLESS STEEL

PVD- BLACK

PB –POLISHED BRASS



- CE Certified,
- Two separate valves adjustable Latching & Closing Speed
- Optional Built-In HOLD OPEN type.
- Universal Application Standard ,Top Jamb Parallel Arm Installation
- Work Temperature - 30 degree to 60 degree

POWER SIZE	EN 2	EN 3
Width of door max(mm)	850	950
Weight of door Max(kg)	40	65
Speed Control	Two Adjustable speed	
Dimension	L223xW44.5xH72	
Application	Commercial & Residential	
Passed Durability Test	5,00000 Cycle	