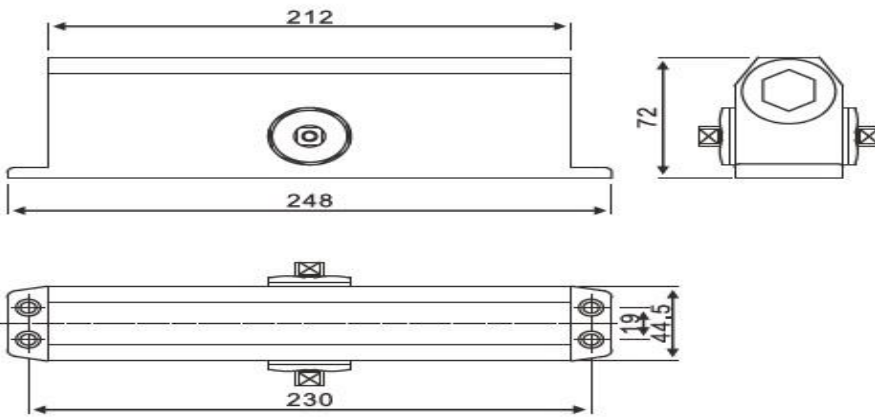


## TFDC017- SIZE 3-4 DOOR CLOSER - 85 KG



AVAILABLE FINISHES
PSS- POLISHED STAINLESS STEEL
PVD- BLACK
PB –POLISHED BRASS



- CE Certified,
- Two separate valves adjustable Latching & Closing Speed
- Optional Built-In HOLD OPEN type.
- Universal Application Standard ,Top Jamb Parallel Arm Installation
- Work Temperature - 30 degree to 60 degree

POWER SIZE	EN 3	EN 4
Width of door max(mm)	950	1100
Weight of door Max(kg)	40	85
Speed Control	Two Adjustable speed	
Dimension	L248xW44.5xH72	
Application	Commercial & Residential	
Passed Durability Test	5,00000 Cycle	