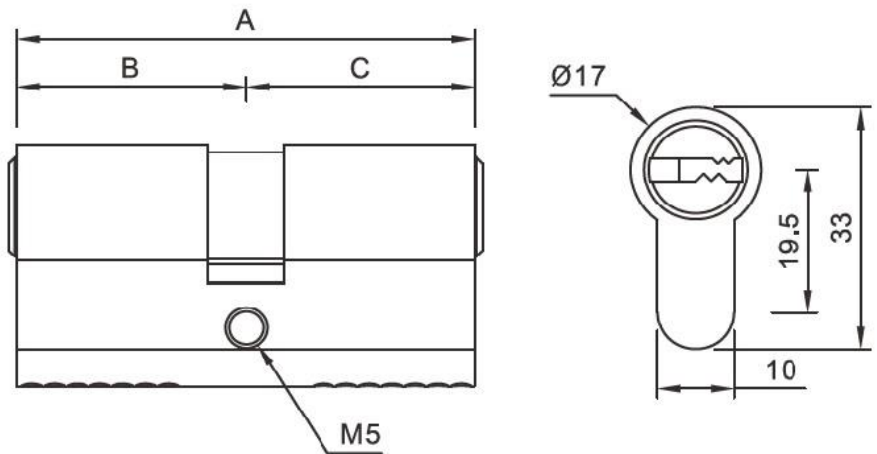


TFLC003- DOUBLE CYLINDER



AVAILABLE FINISHES
PSS- POLISHED STAINLESS STEEL
PVD- BLACK
PB –POLISHED BRASS



- Material : Quality Solid Brass Body And Brass Plug
- Keys : 3 Brass Keys
- Key Management Functions: Master Key, Grand Master Key, Construction Key, keyed Alike
- Pins: 6 Brass Pins Standard
- Tested for 100,000 cycles
- Supplied with suitable screws and fixings



ITEM CODE	A	B	C
TFLC003-60	60	30	30
TFLC003-65	65	32.5	32.5
TFLC003-70	70	35	35
TFLC003-80	80	40	40