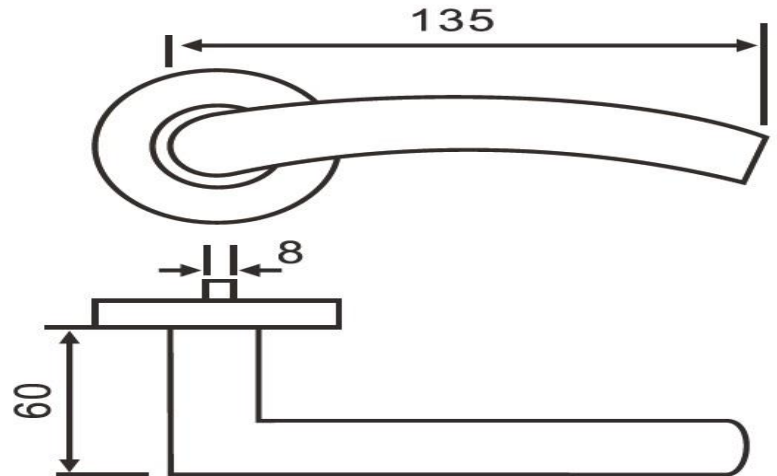


TFTH008- LEVER HANDLES



- 19mm dia spring assisted stainless steel SS304 grade tubular lever handle
- Spring Assisted Chassis
- 52mm push on rose with 8mm projection
- Supplied with 52mm escutcheons prepared for Euro-profile cylinders
- 8mm x 8mm square spindle
- Tested for 200,000 cycles
- Supplied with suitable back to back fixing screws
- Add suffix S for same design on Square rose and escutcheons



AVAILABLE FINISHES

PSS- POLISHED STAINLESS STEEL

PVD- BLACK

PVD -GOLD