

## TFDC005- SIZE 3 CONCEALED DOOR CLOSER - 65 KG

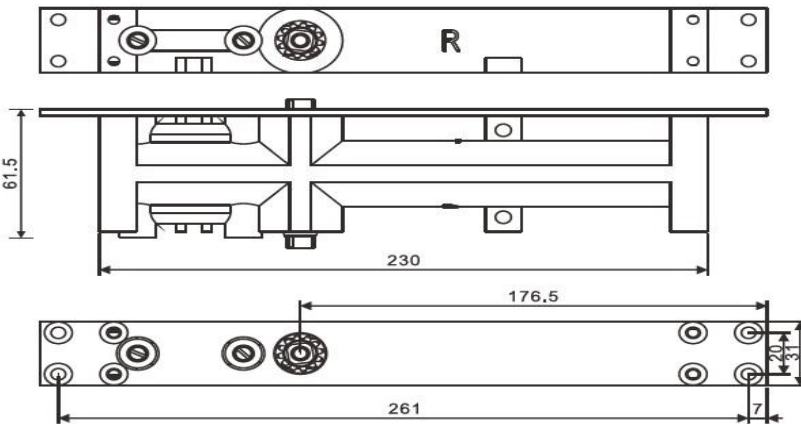


### AVAILABLE FINISHES

PSS- POLISHED STAINLESS STEEL

PVD- BLACK

PB –POLISHED BRASS



- High quality Imported gasket used to prevent oil leakage
- Strong spring to guarantee powerful closing
- Reliable closing with adjustable latching action
- 2 speed controls : closing speed and latching speed.
- suitable for door thickness 45mm and more.

POWER SIZE	EN 2	EN 3
Width of door max(mm)	850	950
Weight of door Max(kg)	40	60
Speed Control	Two Adjustable speed	
Dimension	L230xW31xH61.5	
Application	Commercial & Residential	