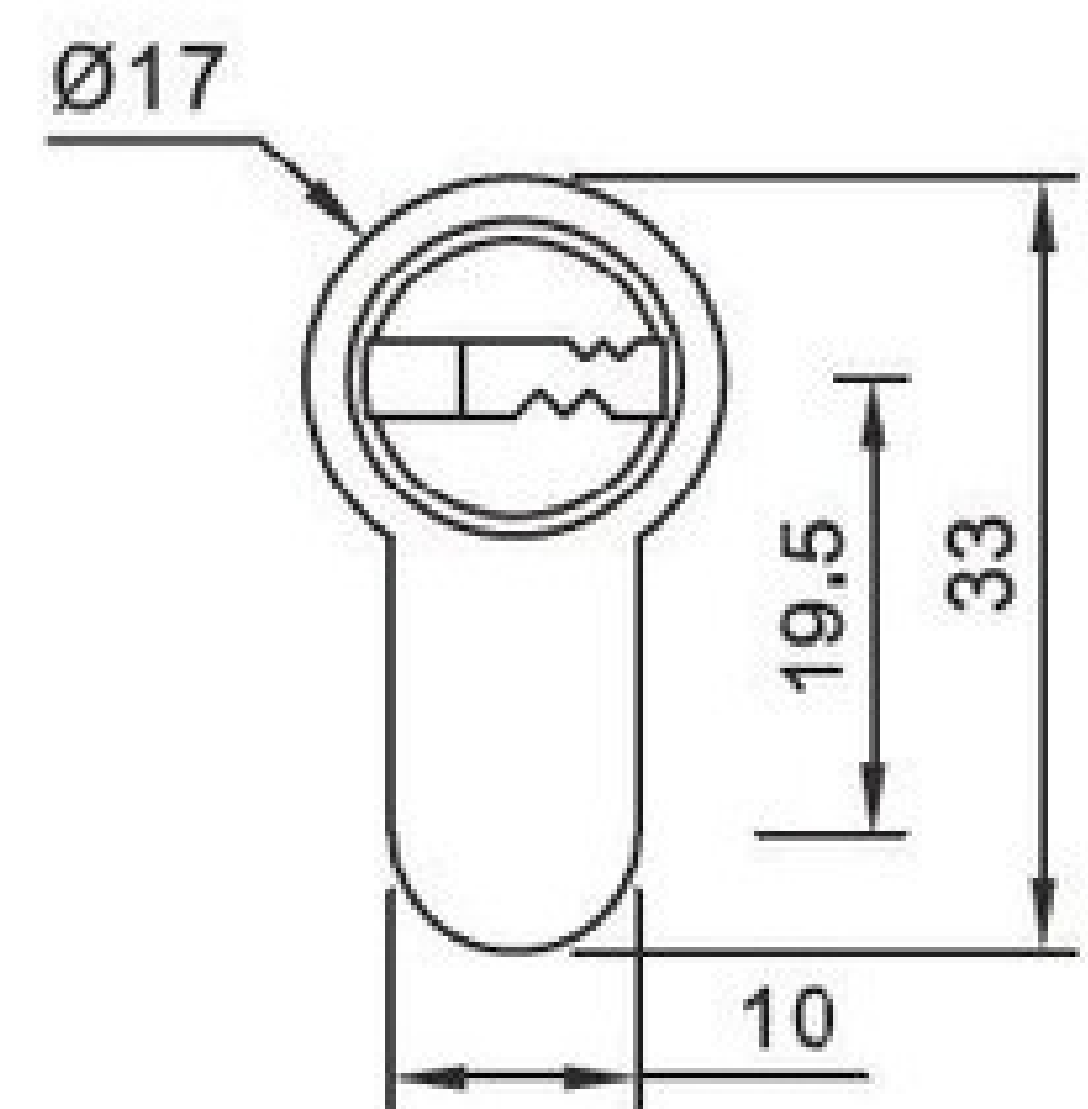
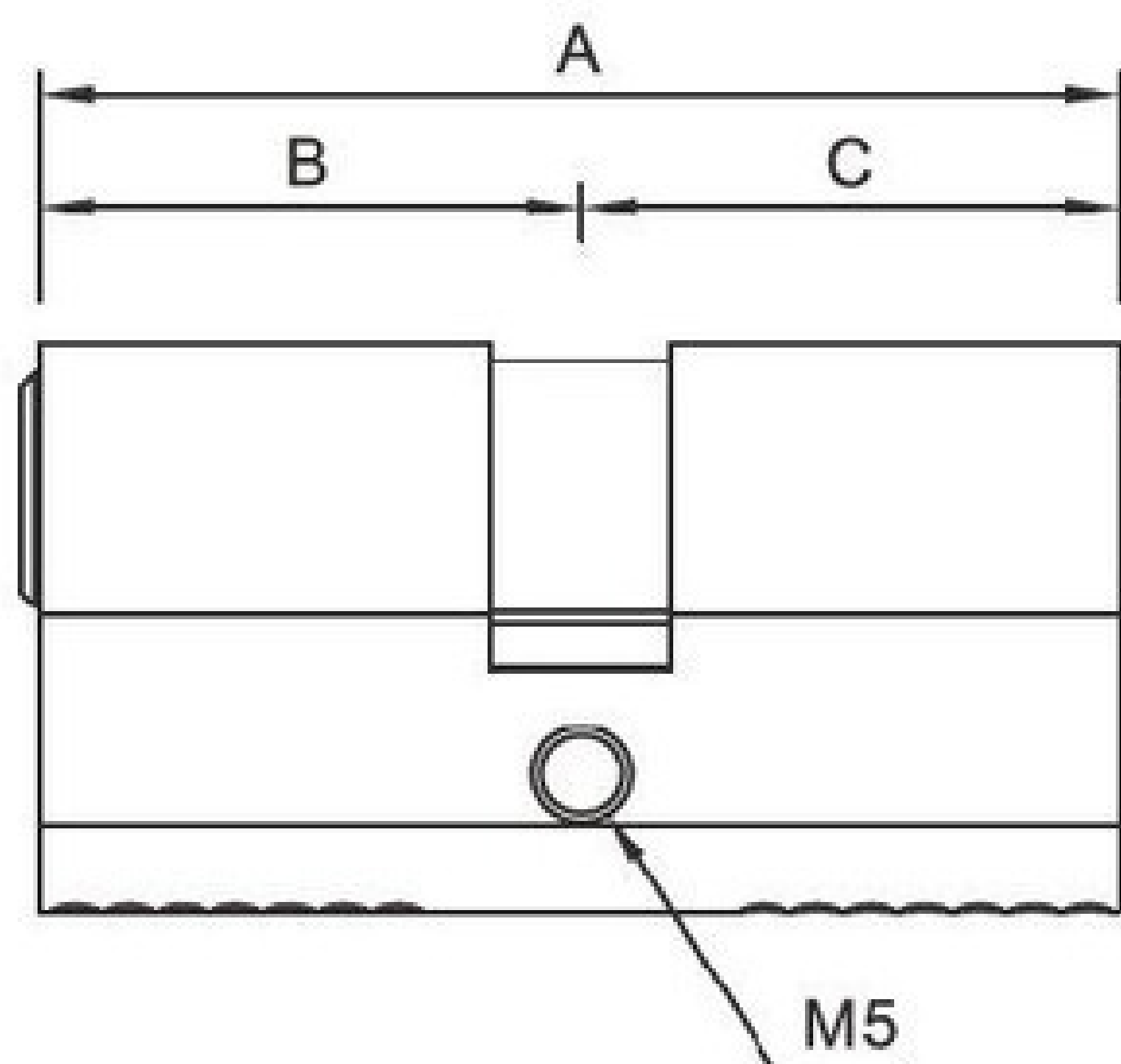


TFLC003 - DOUBLE CYLINDER



AVAILABLE FINISHES
PSS-POLISHED STAINLESS STEEL
PVD- BLACK
PB-POLISHED BRASS



- Material : Quality Solid Brass Body And Brass Plug Keys : 3 Brass Keys Key
- Management Functions: Master Key, Grand Master Key, Construction Key, keyed Alike Pins: 6 Brass Pins Standard Tested for 100,000 cycles Supplied with
- suitable screws and fixings

ITEM CODE	A	B	C
TFLC003-60	60	30	30
TFLC003-65	65	32.5	32.5
TFLC003-70	70	35	35
TFLC003-80	80	40	40